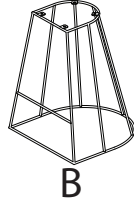
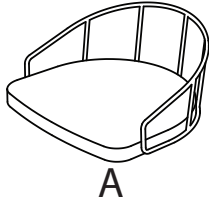
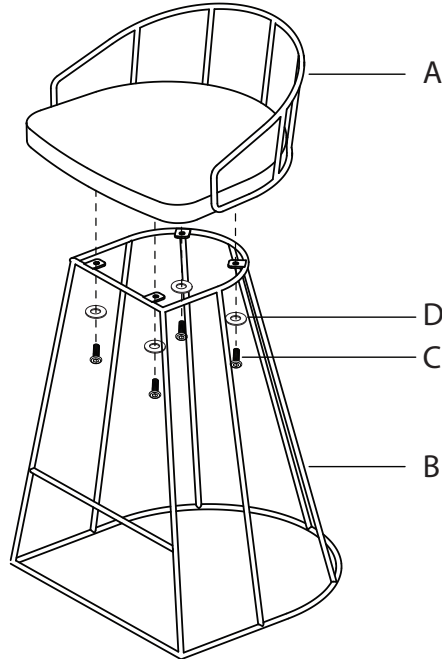
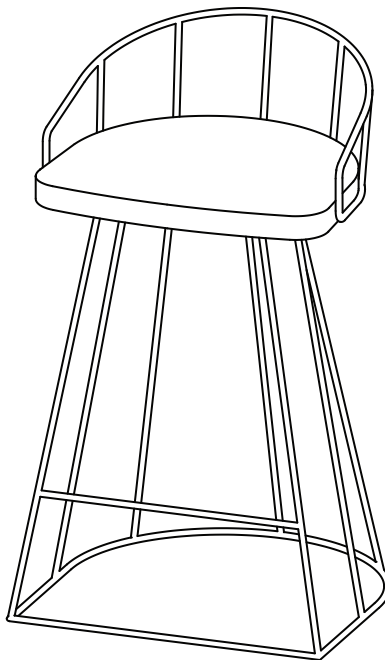


Part # B26-CNRY XX+XX

190612

**PARTS****1****2**

Do not over tighten.  
Do not use power tools to assemble.